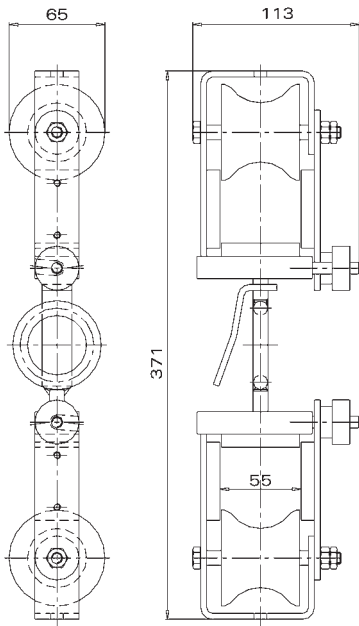


Certified Quality System  
ISO 9001:2000



M = 1.8 kg

This device is specifically designed for replacement of an existing ground wire (G.W.) with OPGW (Optical Grounding Wire). It is composed by two galvanised steel half frames linked by a ring with a swivel plate.

In each frame are fitted:

- one grooved nylon roller with two ball bearings
- three nylon plates to guarantee the OPGW protection

One side of each frame can be easily opened by a knurled nut. The frame have been designed in order to avoid any contact of the OPGW with the steel part



#### PERFORMANCE

Working load	2 kN
Breaking load	10 kN